

KEYBOARD CONTROLLER

The keyboard controller (Figure 7-7) is a 12 button calculator-type switch array that functions like a small computer keyboard. When one of the pushbuttons is pressed, the corresponding set of sense lines is closed, completing the circuit. The closure is detected by the 6532 and appropriate action is taken by the program. Figure 7-8 illustrates the keyboard wiring and Figure 7-9 the keyboard schematic.

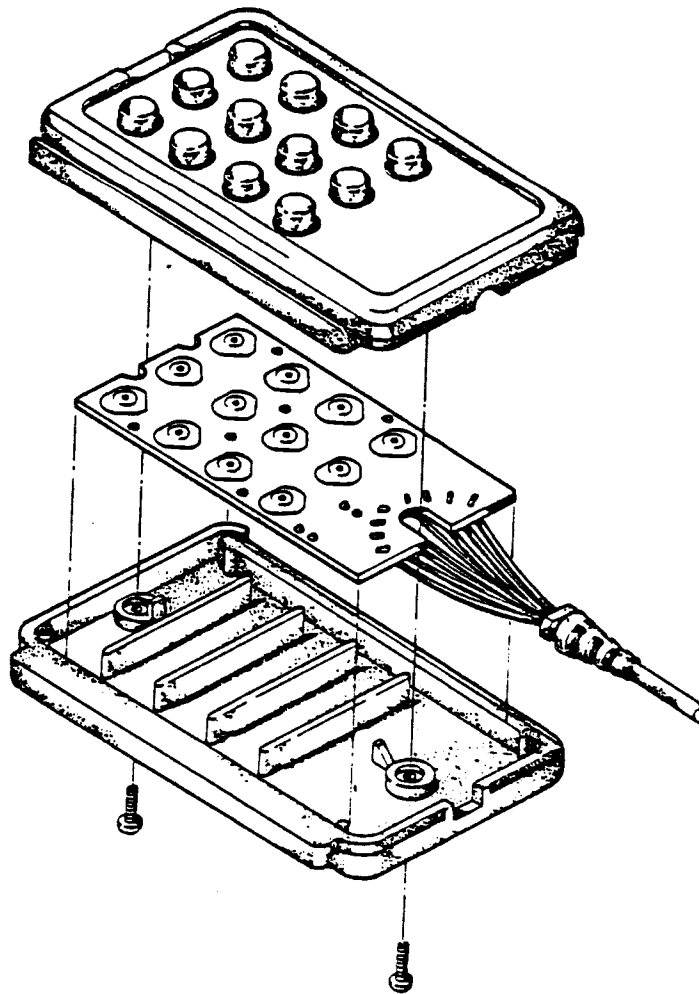


Figure 7-7. Keyboard Controller

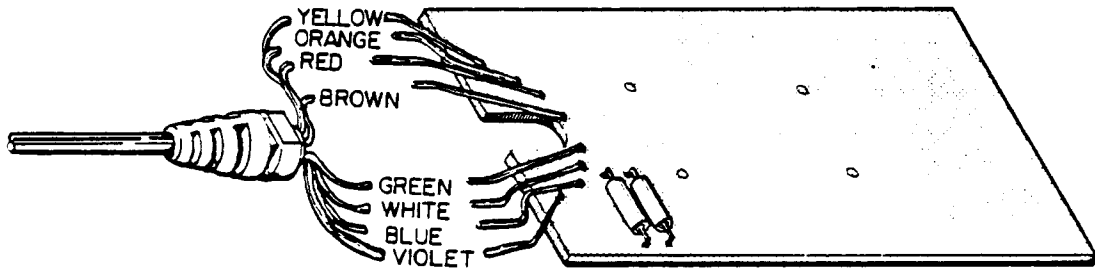


Figure 7-8. Keyboard Wiring Diagram

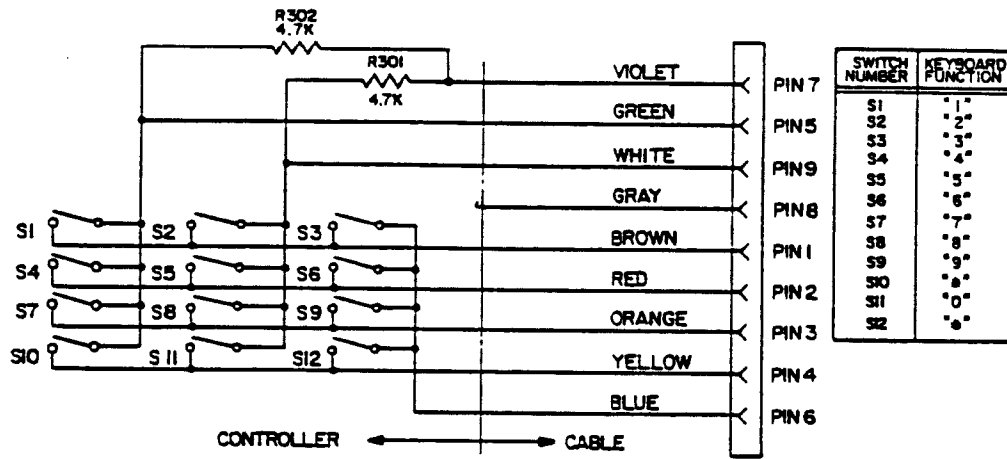


Figure 7-9. Keyboard Schematic