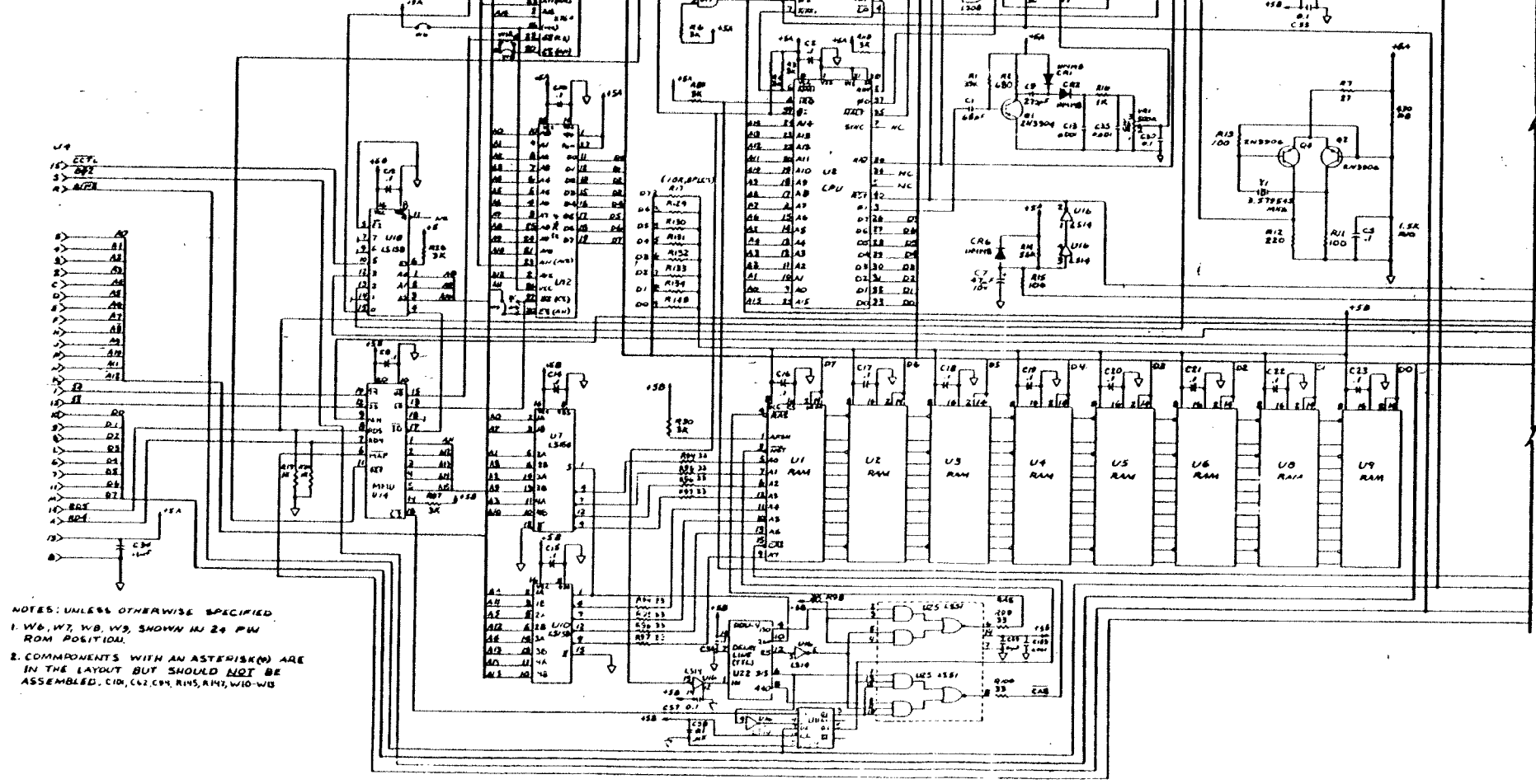
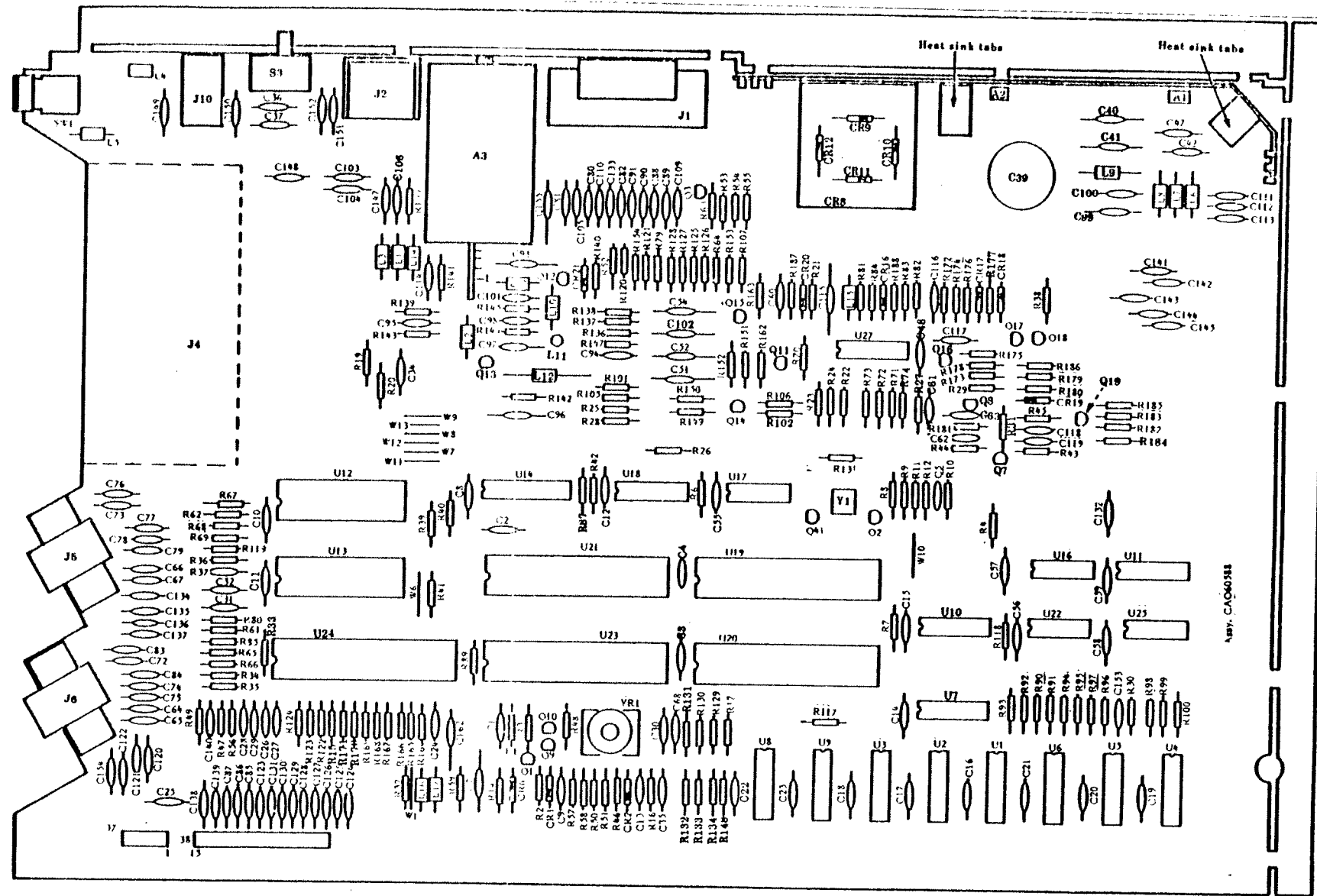


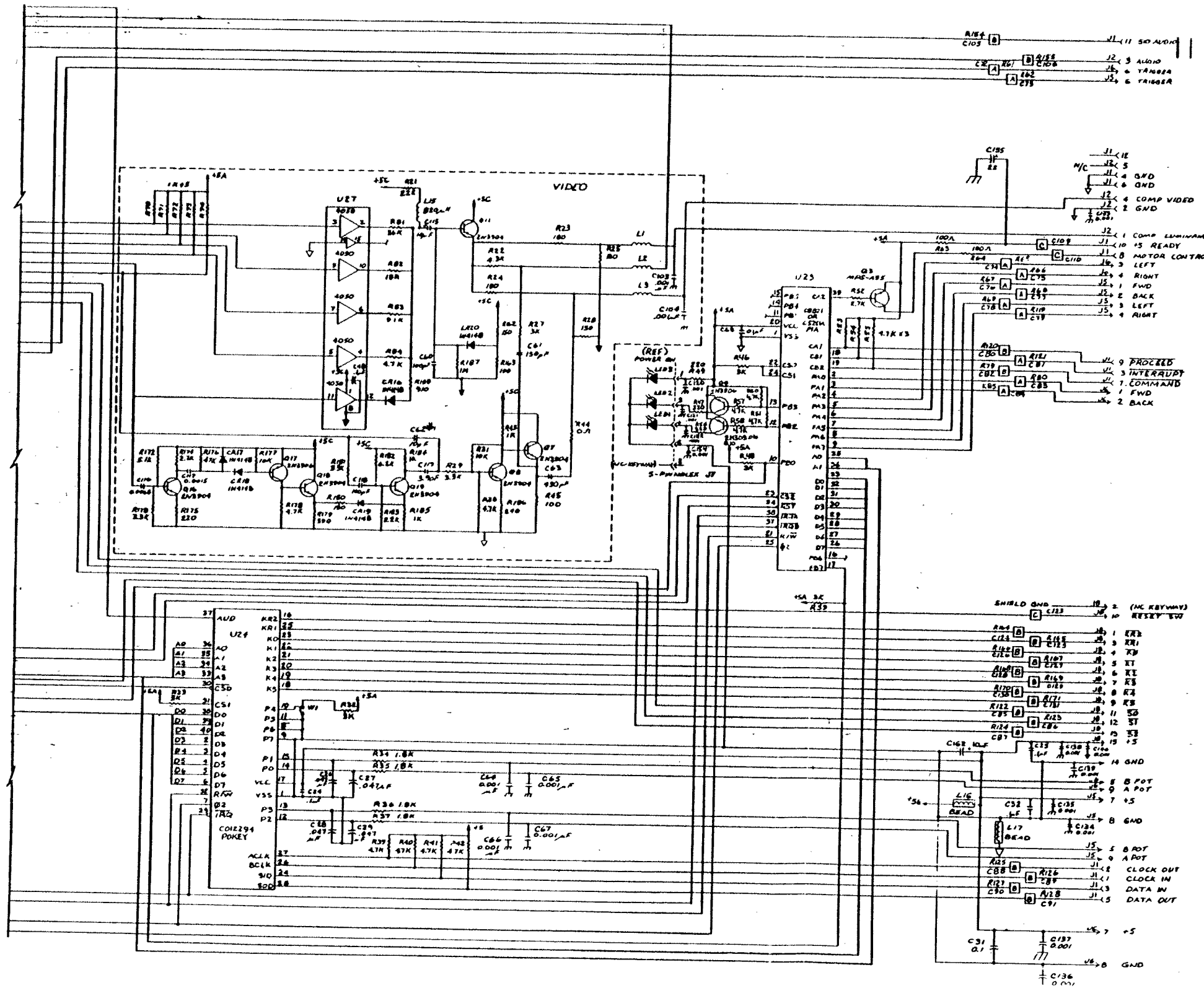
NOTES: (UNLESS OTHERWISE SPECIFIED)
 1. ALL CIRCUITRY EXCEPT POWER SUPPLY ENCLOSED BY
 IN CONNECTOR, AND SWITCHES ENCLOSURED WITHIN THE EMI SHIELD.
 2. ALL RESISTORS ARE 1/4WATT, 5% AND MEASURED IN OHMS.
 3. ALL INTEGRATED CIRCUITS ARE IN SOCKETS.

TYPE	MARKING	REFERENCE DESIGNATION	VALUE	NOT USED
RESISTORS	R1-R99	RESISTORS	VARIOUS	
INDUCTORS	L1-L11	INDUCTORS	VARIOUS	
CAPACITORS	C1-C100	CAPACITORS	VARIOUS	
DIODES	D1-D10	DIODES	VARIOUS	
TRANSISTORS	Q1-Q10	TRANSISTORS	VARIOUS	
IC'S	U1-U10	IC'S	VARIOUS	
WIPERS	W1-W10	WIPERS	VARIOUS	



NOTES: (UNLESS OTHERWISE SPECIFIED)
 1. W6, W7, W8, W9, SHOWN IN 24 PW
 FROM POSITION.
 2. COMPONENTS WITH AN ASTERISK(*) ARE
 IN THE LAYOUT BUT SHOULD NOT BE
 ASSEMBLED. C10, C11, C12, R15, R16, W10-W12





SHN PIN OUT (TOP VIEW)

5 4
3 2 1

FRONT EDGE OF PC BOARD

