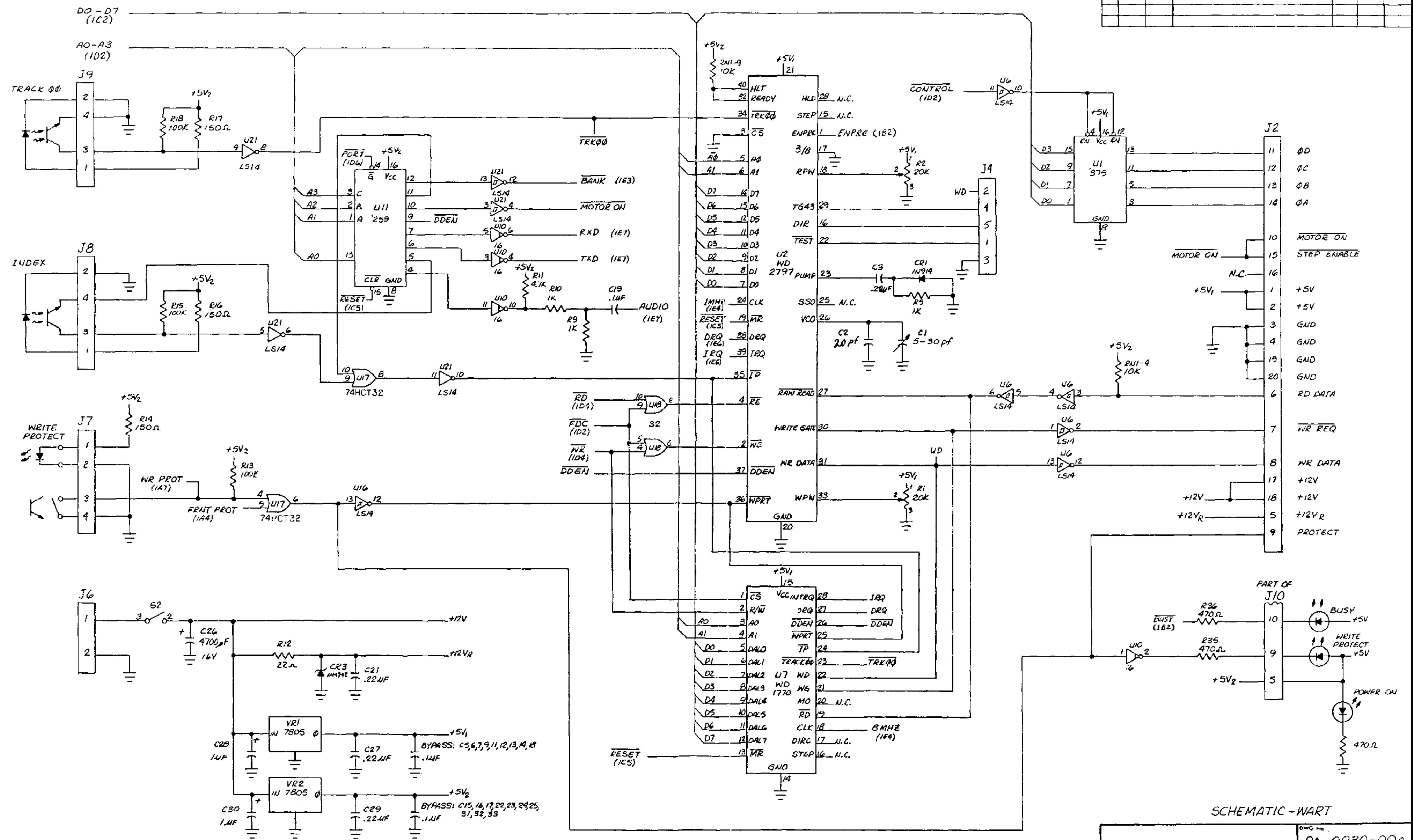
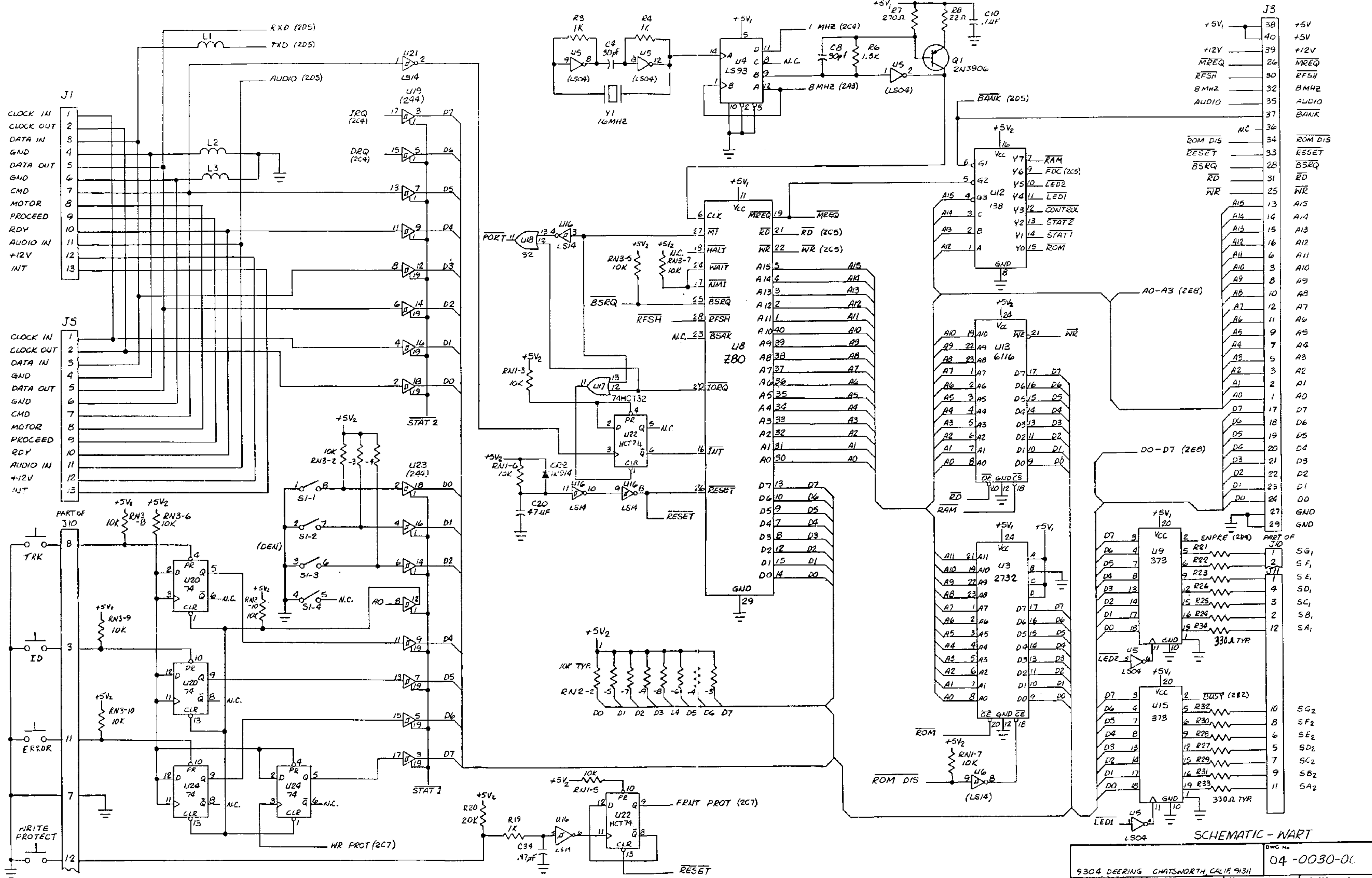


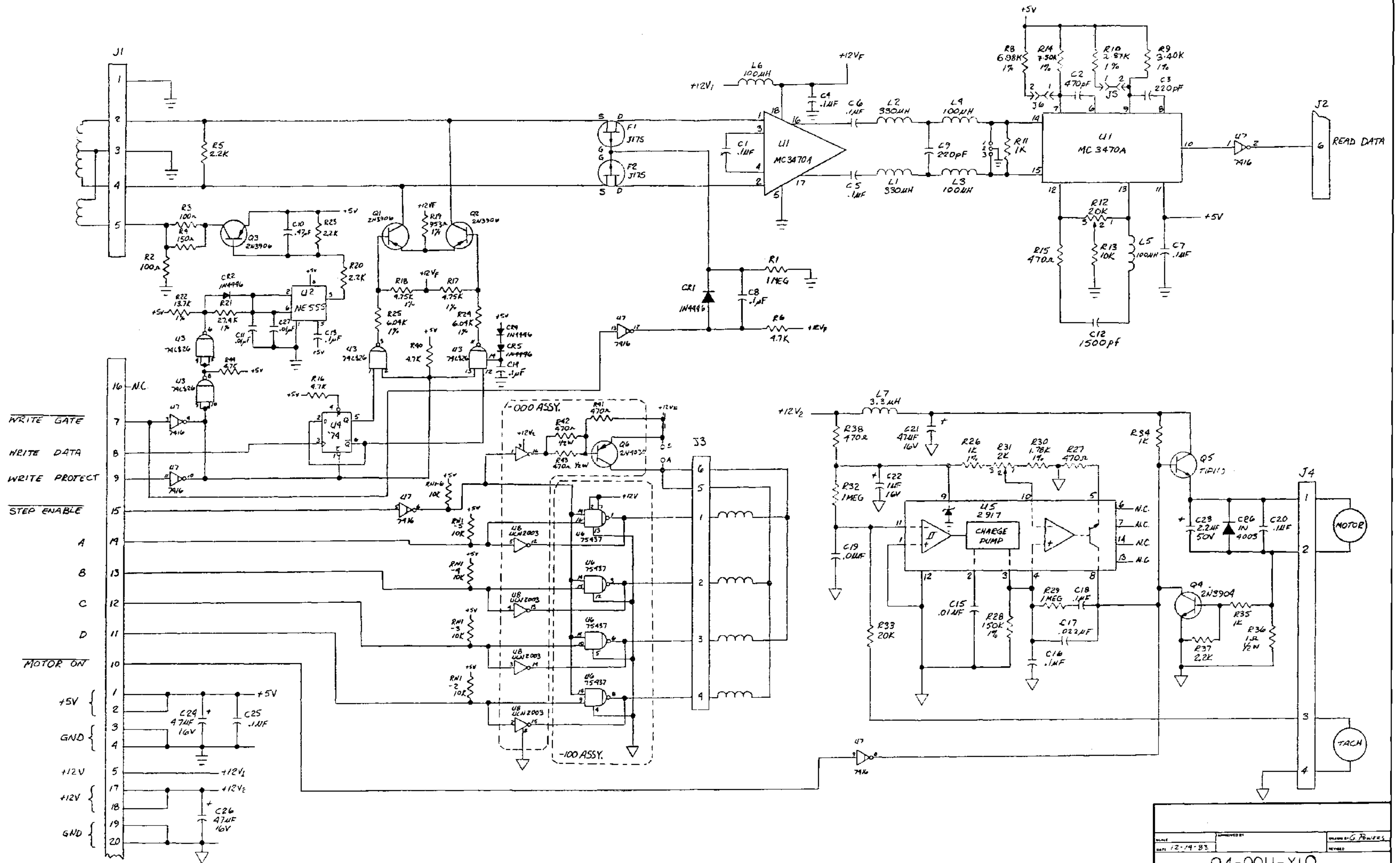
SYM	ECO	EFFECT	REVISIONS	BY	DATE	AI
		CHANGE R13, R15, R18 TO 100K			1/18/84	
		CHANGE R3, R4 TO 1K, CHANGE C3 TO 30PF			1/28/84	



SCHEMATIC - WART



SCHMATIC - WART



SCALE	APPROVED BY	DESIGNED BY G. POWERS
DATE 12-14-83	REVISED	
04-0011-X10		
ANALOG PCB SCHEMATIC		